

NINA, 2 BOWLS AND ELECTRONICAL CONTROL



Ref: 562083
(NINA2)

NINA 2 STD 230/50 WHITE - GAS R452A

General Features

NINA 2 is a mini dispenser that prepares cold creams, sherbets and slush.

Compact and lightweight, NINA 2 with n. 2 bowls, each with a capacity of 2 litres, and its small size, is a compelling proposal for locations with low volume requirements, for the operators who have limited space and low sales volumes and for off-season use when the frozen products demand is low.

Tanks have a capacity of 2 litres, to reduce waste and to provide high product rotation and freshness.

The front electronic keypad can be used to set the temperature and the defrost mode.

This mini slush machine has a special fire-resistant plastic frame composed of ABS & Polycarbonate, and steel side panels.

NINA 2 is cutting-edge, easy to use, very attractive and exclusive.

NINA, 2 BOWLS AND ELECTRONICAL CONTROL

Specifications

- Mini dispenser that prepares cold creams, sherbets and slushies.
- Well-suited for operators with limited space and low sales volumes, or can be particularly useful during the off-season when demand for frozen products is low.
- The small size of the tank allows for more frequent renewal of the product inside, ensuring greater freshness.
- Safety stop system.
- It is possible to customize the graphics on the front and on the back (subject to negotiation)
- Tanks work independently.

Construction

- Small footprint.
- This equipment has a special fire-resistant plastic frame composed of ABS & Polycarbonate, and steel side panels.
- n. 2 tanks containing 2 litres of finished product.

NINA, 2 BOWLS AND ELECTRONICAL CONTROL

Electric

Supply voltage:	220-240 V / 1 ph / 50 Hz
Electrical power max.:	0.5 kW
Current consumption:	3.8 Amps
Plug type:	CE-SCHUKO

Key Information:

Number of bowls:	2
Bowl's capacity:	2 lt
Control board:	Electronic
Dimensions, Width:	281 mm
Dimensions, Depth:	391 mm
Dimensions, Height:	498 mm
Net weight:	26 kg
Cooling system:	AIR

Refrigeration Data

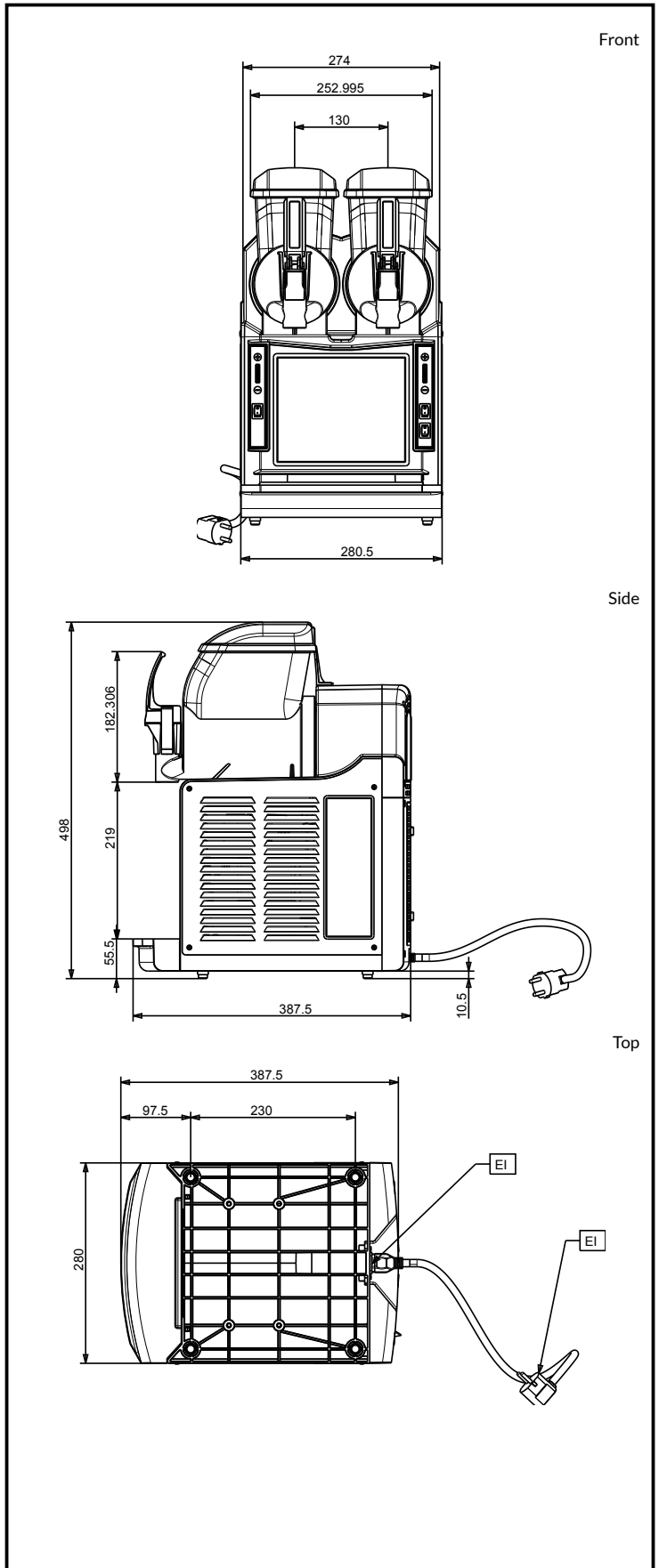
Refrigerant gas:	R452A
------------------	-------

Certifications



The company reserves the right to make modifications to the products without prior notice. All information correct at time of printing.

2025.04.11



SPM

www.spm.drink-systems.com
infospm@electroluxprofessional.com